

Datasheet

AUTOMATIC DOOR OPENER KIT: AUTOPASS-KIT

Product description

Safety is essential to protect people from physical harm if they approach and use automated doors. We offer a complete solution for safety compliance, including the new EN16005 standard which is now considered essential for automated door safety.

Including the AutoPass Spring Return, this kit is the answer for door automation in high traffic sites such as front doors or commercial sites.




Key features

- Full door kit
- Single and double door versions available
- Safety sensors, finger guard and signage included
- Universal arm for inward or outward opening included

 *Certification*

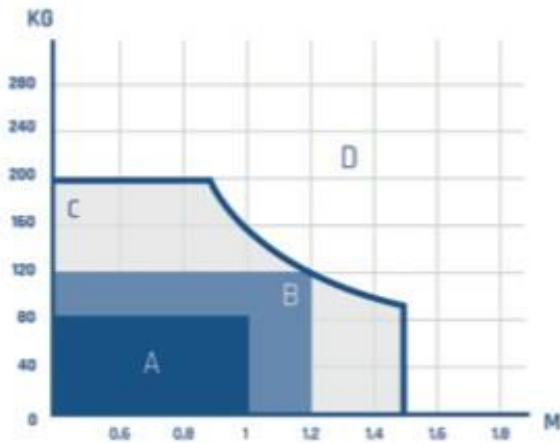
 *DEEE*

RoHS *Certification*

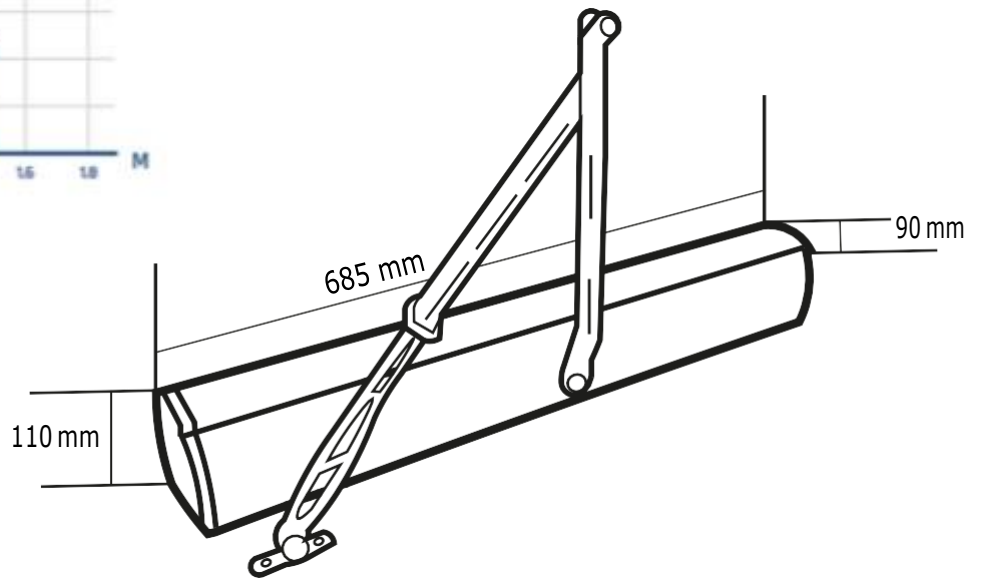
 *-10°C to 55°C*

Datasheet

Usage



- Zone A:** Very intensive use (600 cycles/day)
- Zone B:** Intensive use (200-300 cycles/day)
- Zone C:** Use with reduced speed
- Zone D:** Do not use



Electrical Specifications

Power supply: 230Vac, 50Hz

Power for auxiliary devices: 12Vdc / 500mA (max)

Power for electrolock: 12Vdc / 1A (max) or 24Vdc / 0.5A (max)

Max current: 100W

Fire Specifications

The AutoPass Spring Return was fire tested in 2018 to the EN1634-1 standard, classifying the performance of building hardware for fire-resisting doors and emergency escape doors.