

E100

Wireless Handle Lock

The E100 wireless handle lock provides a simple solution combining the door locking hardware with the RFID reader. The reader communicates wirelessly to a hub either in the wall or ceiling. The hub is wired to a reader terminal on the IC controller.

Key Features

- Main electronics on the outside handle
- Secure electronics on the inside
- LED for status visualisation
- Outside handle rotates freely
- Inside handle always engaged
- Many types of reading technologies, SensorProxSF, Mifare & SensorProx
- Possibility to store up to 10 emergency cards.
- Compatible with all DIN mortice locks
- Optional cutouts for key override

Ideal for Retrofit applications. The E100 wireless handle lock is compatible with all European DIN mortice locks making it perfect for retrofit applications.

LED for status visualisation

When the card is passed the reader LED will illuminate green for access granted or red for access denied

Simple Installation - Less Wiring

Traditional access control systems require a reader, break glass unit, exit button and maglock to be wired back to the access controller.

With the E100 all that needs to be wired back to the access controller is the wireless hub.

This saves a lot of time and expense running wires.

Also no power supply is required for the lock

Reading technologies

The E100 is available in many types of reading technologies. This makes it perfect to add additional doors onto an existing systems.



E100

Wireless Handle Lock



Technical Specification

Reader Specification

LED	Red, Green, Orange
Weatherproof	IP 52
Reading Technology	SensorProxSF, Mifare, SensorProx
Read Range	up to 4cm
Frequency	125 KHz or 13.56 MHz
Function	Read Only
Interface	Wiegand

Physical

Dimensions (Handle)	312 x 41 x 10/20mm(HxWxD)
Dimensions (Spindle)	Custom to fit door
Case Material	Brushed Steel
Case Colour	Steel & Black reader

Environmental

Operating Temperatures	0°C to +60°C
------------------------	--------------

Electrical

Battery	1 x Lithium CR123A
Battery Life	> 40,000 cycles (for max 3 years)



Typical Applications

- Education facilities
- Hotel Systems
- Low Traffic Doors



E100

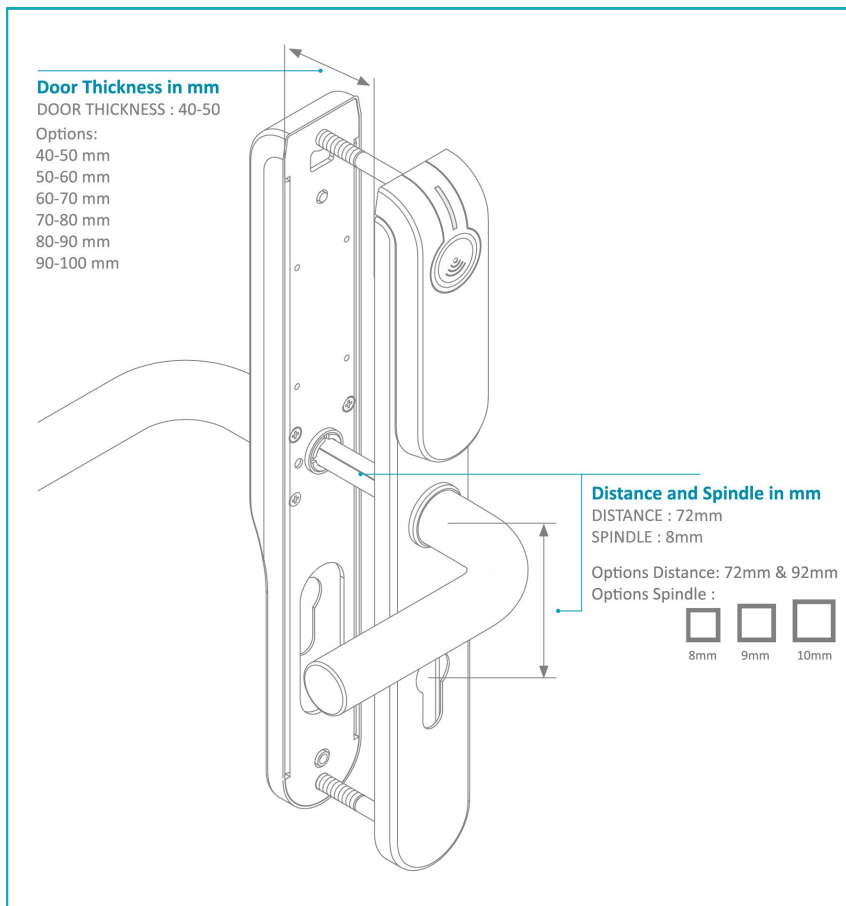
Wireless Handle Lock

Part Numbers

Lock Type	Reader Format	Comms	Key Override Cutout	Distance	Spindle	Length B (note 2)
E100 - Handle	SensorProxSF = SF Mifare = M SensorProx = P	W = Wiegand	Blank/Blank = BB Euro/Blank = EB Euro/Euro = EE	00/ 72/ 92/	8mm 9mm 10mm	40-50mm 50-60mm 60-70mm 70-80mm 80-90mm 90-100mm

EXAMPLE PART NUMBER : E100 - SF W BB - 00/8 40-50

E100 - Handle	SensorProxSF = SF	W = Wiegand	Blank/Blank = BB	00/	8mm	40-50mm
---------------	-------------------	-------------	------------------	-----	-----	---------



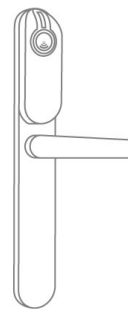
Cut-outs

Sensor Access offer the following options:

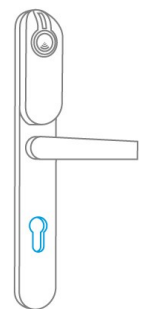
BLIND / BLIND

BLIND / EURO

EURO/EURO



BLIND



EURO